

# DC SPD

## SUP2 Series 500VDC/600VDC/800VDC/1000VDC

Technology  
Connects human and nature



[www.chinasuntree.com](http://www.chinasuntree.com)



### HEAT DISSIPATION HOLE

Quickly dissipate heat, reduce the service temperature

### PLUG-IN CLIPS

Easy module replacement




**FLASH BARRIER**  
Prevent arc propagation in current impact

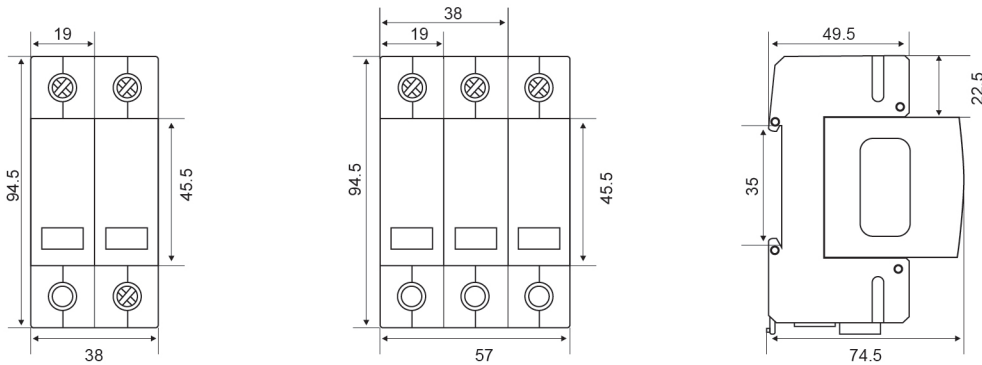
**HIGH RELIABILITY**  
Single chip voltage up to 400V



**MODEL AND SIGNIFICANCE**

<b>S</b>	<b>UP</b>	<b>2</b>	<b>H</b>	-	<b>PV</b>	/		<b>X</b>
Enterprise code	Surge protector device	Design Number	H:275V/500VDC H1:1000VDC H6:600VDC H8:800VDC		PV codeDC dedicated		Maximum accommodating40kA	Remote sensing

**DIMENSIONS (mm)**



IN ORDER TO AVOID VERY COSTLY DAMAGES RESULTING FROM A DIRECT OR INDIRECT LIGHTNING STRIKE, IT IS HIGHLY RECOMMENDED TO INSTALL SURGE PROTECTORS AT KEY POINTS IN THE PV SYSTEM. SUNTREE YOUR EXPERTS FOR SURGE PROTECTION



**DC SURGE PROTECTOR**

- SUP2H-PV/500VDC/2P
- SUP2H6-PV/600VDC/2P
- SUP2H8-PV/800VDC/2P
- SUP2H1-PV/1000VDC/3P

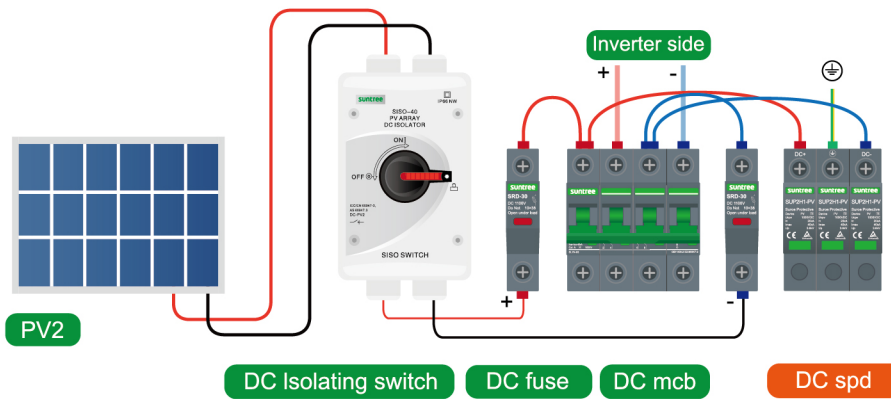
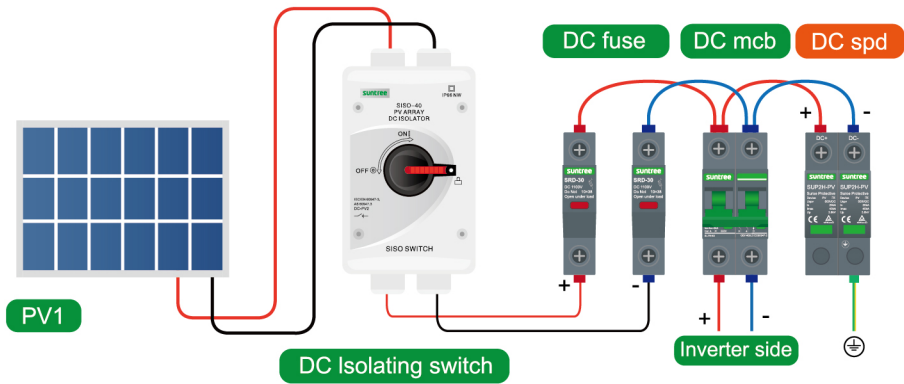
## ELECTRICAL TECHNICAL REFERENCE

Product Model	SUP2H-PV		SUP2H6-PV	SUP2H8-PV	SUP2H1-PV	
	Max. continuous operating voltage (Uc)	275VDC	500VDC	600VDC	800VDC	1000VDC
Max. discharge current (Imax)(8/20us)	20、40KA					
Protection level (In)Up	2.8kV	2.8kV	2.8kV	3.0kV	3.6kV	4.0kV
Service temperature	-40°C~+70°C					
Relative humidity	≤95%(25°C)					
Installation mode	35mm standard guide rail					
Window indication	Normal: green; Failure: Red					
Ingress protection	IP20					
Numbers of poles	1P、2P、3P					
Leakage 0.75u ImA(uA)	≤20					

## APPLICATION IN HOUSEHOLD GRID-CONNECTED SYSTEMS



## WIRING DIAGRAM



WIRING DIAGRAM IS FOR REFERENCE ONLY, FOR MORE INFORMATION ABOUT WIRING SOLUTIONS, PLEASE CONTACT THE SALESMAN

## INSTALLATION PRECAUTIONS

- The normal range of ambient air temperature should be no higher than +40°C and no lower than -25°C, with a relative humidity of no more than 95%; The altitude of the installation site shall not exceed 2000m;
  - Pollution class 3;
  - Where there is no risk of explosion and the medium is free of gases and conductive dusts sufficient to corrode metals and destroy insulation.
- Wiring resistance
- Grounded copper bus-bar



📍 Add: Xinguang Industrial Zone, Liushi, Yueqing Zhejiang China

☎ Tel: +86-577-62890205

✉ E-mail: [tony@chinasuntree.com](mailto:tony@chinasuntree.com)

🌐 [www.chinasuntree.com](http://www.chinasuntree.com)